



92x92x25mm

- **Airflow: 38.1~75.0 CFM**
- **Static Pressure: 1.5~4.8 mm-H₂O**
- **Blade / Housing: Plastic Material UL 94V-0 P.B.T.**
- **Lead Wire: UL1007 #24 AWG**
- **Weight: 100.0 g**

Model No.	Bearing	Rated Voltage VDC	Operating Voltage Range VDC	Speed RPM	Max. Airflow CFM	Max. Static Pressure mm-H ₂ O	Current mA	Power Consumption W	Life at 40°C L10 Hour	P-Q Curve	Noise Level dB(A)
FD129225LS-N	S	12	7~13.2	1800	38.1	1.5	100	1.20	30000	5	25.0
FD129225MS-N	S		7~13.2	2300	48.7	2.2	160	1.92	30000	4	32.0
FD129225HS-N	S		7~13.2	2700	61.4	2.7	200	2.40	25000	3	36.5
FD129225ES-N	S		7~13.2	3000	63.1	3.3	260	3.12	20000	2	39.0
FD129225LB-N	2B		7~13.2	1900	40.2	1.7	100	1.20	80000	5	25.0
FD129225MB-N	2B	24	7~13.2	2400	50.8	2.4	160	1.92	80000	4	33.0
FD129225HB-N	2B		7~13.2	2800	63.7	3.0	230	2.76	75000	3	37.5
FD129225EB-N	2B		7~13.2	3100	66.3	3.7	260	3.12	65000	2	40.0
FD129225EB-N	2B		7~13.2	3500	75.0	4.8	360	4.32	65000	1	42.5
FD249225LB-N	2B		12~26.4	1900	40.2	1.7	60	1.44	80000	5	25.0
FD249225MB-N	2B	48	12~26.4	2400	50.8	2.4	80	1.92	80000	4	33.0
FD249225HB-N	2B		12~26.4	2800	63.7	3.0	130	3.12	75000	3	37.5
FD249225EB-N	2B		12~26.4	3100	66.3	3.7	160	3.84	65000	2	40.0
FD249225EB-N	2B		12~26.4	3600	81.9	3.9	190	4.56	65000	1	47.5
FD489225MB-N	2B		24~56.0	2400	50.8	2.4	55	2.64	80000	4	33.0
FD489225HB-N	2B	24~56.0	2800	63.7	3.0	70	3.36	75000	3	37.5	

2B: 2-ball bearing BS: 1-ball 1-sleeve bearing L: sintetico bearing S: sleeve bearing

Voltage Available

Bearing System Available

Function Available

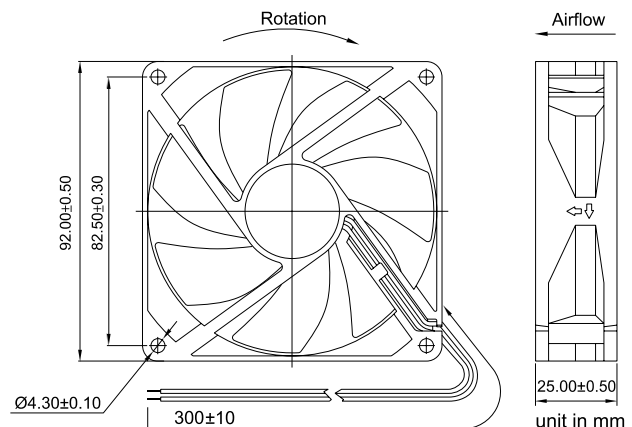
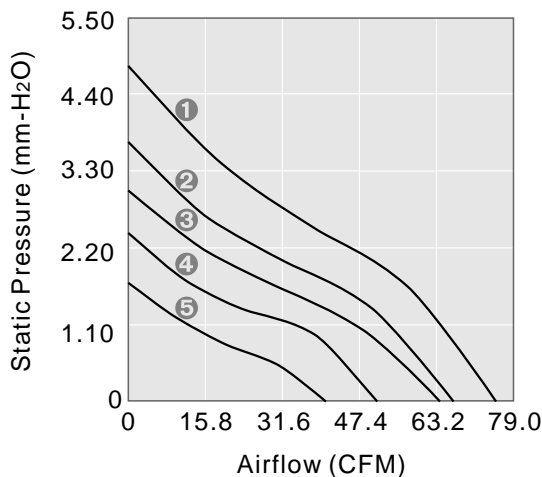
05 12 24 48

2B L S

N A I F R Q S T M V C P D W U

PERFORMANCE P-Q CURVE

OUTLINE DIMENSIONS



Please refer to *Model Numbering System* for bearing, function and speed level indication. Specifications are subject to changes without notice. Please refer to the formally issued product specification via contacting Y.S. TECH sales department. Visit Y.S. TECH web site at <http://www.ystech.com.tw> for updated information. Customized Specifications are designed accordingly.